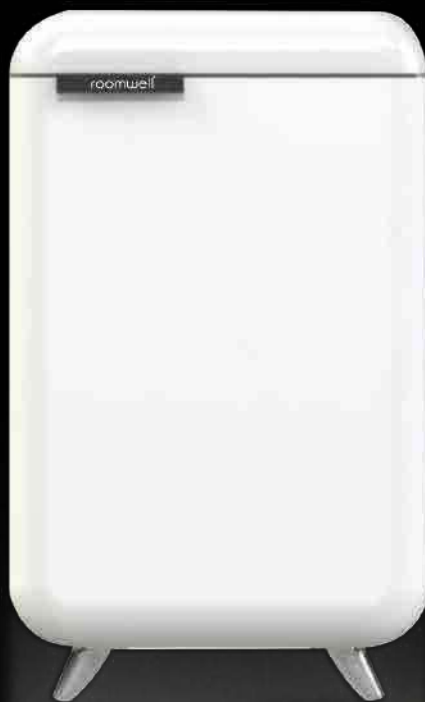
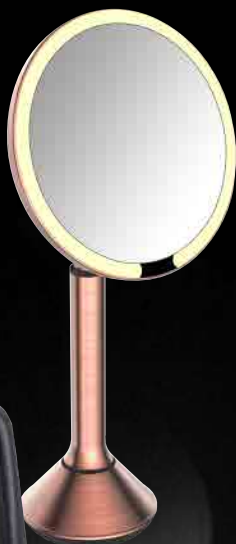


2022-23
COLLECTION


roomwell®
UK Limited



THE
ULTIMATE
IN LUXURY & INNOVATIVE
HOTEL ROOM COLLECTION.



INDEX

07
MINIBAR

11
SAFE BOX

14
TEA STATION

19
IRONING STATION

22
HAIRDRYER

24
ALARM CLOCK

26
ROOM BINS

29
LUGGAGE RACK

30
BATHROOM SCALE

32
MIRROR

34
ACCESSORIES

YOUR GUESTS DESERVE ONLY THE BEST, YOUR GUESTS DESERVE ROOMWELL!

Roomwell is an Award-Winning British manufacturer of quality in-room appliances and accessories designed specifically for hotels.

We have a strong interest in creative solutions for contemporary hotels. We developed numerous items that modern visitors love, such as retro minibar, retractable iron board, compact wireless alarm clock, and battery-free bathroom scale.

Our diligent team of designers and engineers produce premium products that are durable, safe, energy-efficient, and user-friendly. In many countries across the world, you may discover our goods in tiny boutique hotels and huge multinational chains.

We strive to provide your guest with a comfortable and convenient stay, whether that means providing a necessary hairdryer, a clever ironing solution, or a practical kettle. However, we also make sure that our products adhere to the crucial requirements of hoteliers, such as dependability and safety.

With ample experience, we have transformed hotel rooms all over the world with our avant-garde and creative British designs. Research and development are our constant companions, and our products are regularly upgraded.

A BIT ABOUT ROOMWELL





PREMIUM QUALITY

Only the best raw materials are chosen for producing Roomwell products. To sustain frequent, heavy usage in hotels, they must be dependable, secure, and robust. All of our items come with a 2-5 year warranty.



CUSTOMER SATISFACTION

Customers value our quick response times. Whether it's a query, a request for a quote, or an order delivery. We often react in as short as two hours and always within one working day.



IN-TIME EVERY TIME

Our fully stocked warehouse is our reason of pride. Our items are available for immediate dispatch, about 95% of the time. To ship your items as promptly as possible, our business works with reputable logistic partners. Regardless of where you are in the world.



RIGHT VALUE OF YOUR MONEY

Due to the fact that we produce, sell, and design everything ourselves, our pricing are quite reasonable. Roomwell is globally renowned for high quality standards with affordable prices.



CERTIFIED PRODUCT

To ensure the highest level of safety for your visitors and employees, our products undergo a thorough testing procedure. All significant testing, inspection, and certification organisations, including Intertek and Bureau Veritas, have approved them.



ECO - FRIENDLY

Our hotel supplies are created with a focus on reducing their environmental effect. Every element is carefully considered to safeguard the environment, from packaging to power usage.

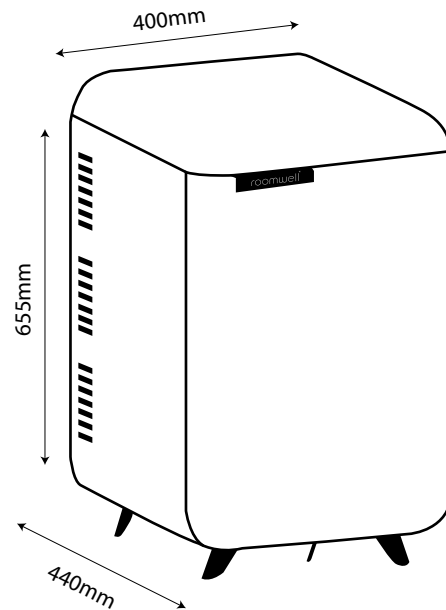
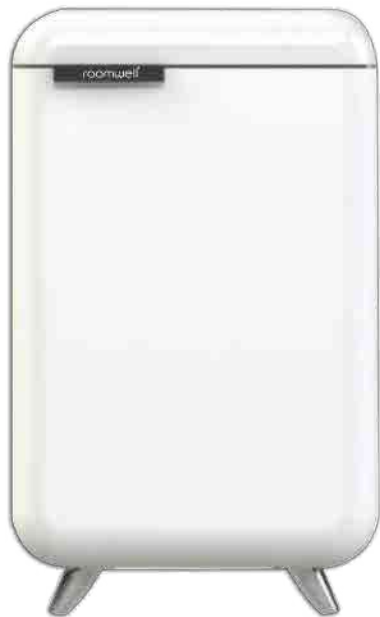
A blurred interior scene of a modern living room. In the foreground, the back of a light-colored sofa is visible. In the background, there is a large window or glass door that lets in bright light, creating a soft, out-of-focus glow. The overall atmosphere is warm and minimalist.

**EXPLORE
OUR RANGE OF
DESIGNER PRODUCTS**

RETRO Minibar MBR4140S

THE RETRO SERIES 38 LITRE COMPACT MINIBAR COMBINES STYLISH VINTAGE FINISH WITH CUTTING EDGE COMPRESSOR TECHNOLOGY.

- Two movable shelves munificently provide flexibility and room for different sizes of cans and bottles.
- Using high-efficiency, energy-efficient compressor to fast cooling
- Cutting Edge Electronic Thermostat with Optical Control Technology.
- Door controlled low rated power LED light (magnet sensor).
- Concealed thermostat for convenient adjustment and preventing customer changing the setting arbitrarily.
- Stocking capacity of up to 36 facings.
- Integrated door handles for easy opening.
- Energy-saving & frost-free electronic type thermostat system.
- Gross Capacity 38L and Net Capacity 34L.
- Free Standing or can be inserted into existing furniture.



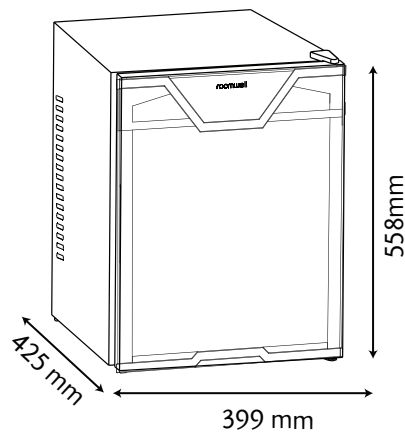
38
LITER



HI-COOL minibar MBH4130S/G & MBH4140S/G

HI-COOL MINIBAR COMBINES CONTEMPORARY STYLE WITH CUTTING - EDGE NOISELESS ABSORPTION TECHNOLOGY

- 2nd Generation Advanced Absorption Cooling Technology
- Noiseless Operation. No Fan and No vibration
- Two removable and adjustable tempered glass shelves with stoppers increases the capacity and eases the cleaning.
- CFC/HCFC Free Thermal Insulation with ultra-cooling efficiency
- Stocking capacity of up to 24 facings for 30L & 36 facings for 40L.
- Intelligent Automatic Defrost Function
- Strong reversible door hinges, convertible to either left or right side
- Three-Layered, argon gas filled tempered glass door for maintaining temperature.
- The door is made with magnetic seals to keep it perfectly closed
- Concealed thermostat for convenient adjustment and preventing customer changing the setting arbitrarily.
- Soft LED Interior Light for more visibility
- Integrated Door Handles
- Free Standing or can be inserted into existing furniture
- Outer Body – Black Colour | Inner Body – White Colour



40
LITER



30
LITER



HI-COOL minibar MBH4160S/G

HI-COOL MINIBAR COMBINES CONTEMPORARY STYLE WITH SUPERIOR SILENT ABSORPTION TECHNOLOGY

- II Generation Advanced Absorption Cooling Technology
- Noiseless Operation. No Fan and No vibration
- Two removable tempered glass shelves.
- CFC/HCFC Free Thermal Insulation with ultra-cooling efficiency
- Stocking capacity of up to 48 facings
- Intelligent Automatic Defrost Function
- Strong reversible door hinges, convertible to either left or right side
- Three-Layered, argon gas filled tempered glass door.
- The door is made with magnetic seals to keep it perfectly closed
- Concealed thermostat for convenient adjustment.
- Soft LED Interior Light for more visibility
- Integrated Door Handles
- Free Standing or can be inserted into existing furniture
- Outer Body – Black Colour | Inner Body – White Colour



60
LITER



STAR Minibar Drawer MBS4145D

GENEROUS CAPACITY OF 50L WITH ADJUSTABLE DIVIDERS AND BOTTLE FINGERS.

- Two removable, adjustable partitions expand the storage space.
- Advanced environmentally friendly thermoelectric cooling technology.
- Thermal insulation manufactured with superior cyclopentane.
- Quiet operation. No Fan and No vibration, 100% Noiseless,
- Insulation free of CFC/HCFC
- Ultra-cooling efficiency with low energy consumption.
- Good Visibility and accessibility for drinks and snacks from the top.
- Stocking capacity of up to 32 facings
- Sensor-controlled soft LED interior light for more visibility.

THERMO minibar

ENERGY EFFICIENT, ENVIRONMENTALLY SUPERIOR CYCLOPENTANE THERMOELECTRIC TECHNOLOGY, MULTIFUNCTION DOOR RACKS AND QUIET OPERATION

- Advanced Environmentally Friendly Thermoelectric Cooling Technology
- Quiet operation. No Fan and No vibration
- Two removable and adjustable tempered glass shelves with stoppers increase the capacity and eases the cleaning
- Thermal insulation manufactured with Superior Cyclopentane
- Superior CFC/HCFC free cyclopentane insulation.
- Fully Automatic Defrost Function
- Lower Energy Consumption than Absorption Systems
- Strong reversible door hinges, convertible to either left or right side
- Foaming solid Door with two adjustable transparent racks
- The door is made with magnetic seals to keep it perfectly closed
- Easily Adjustable Electronic Thermostat for Ideal Temperature Control
- Soft LED Interior Light for more visibility
- Free Standing or can be inserted into existing furniture
- Outer Body - Black Colour & Inner Body - White Colour



30
LITER

MBT4030S



MBT4030G



MBT4040S



MBT4040G



40
LITER

MBT4060S



MBT4060G

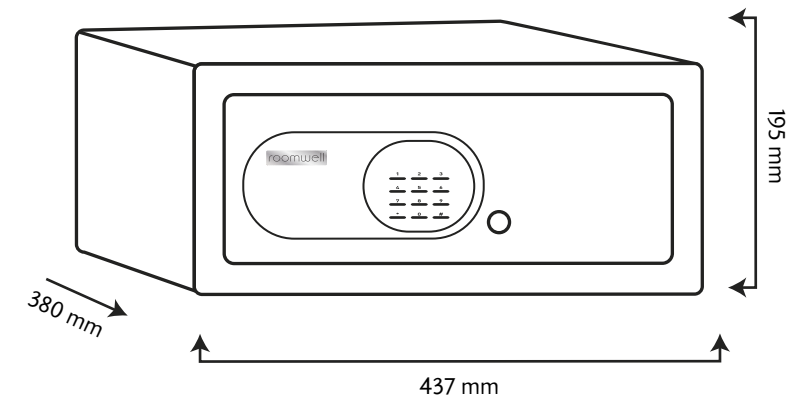


60
LITER

SAFE BOX PRO SBPR04115

DURABILITY, CONVENIENCE AND MAXIMIZE IN-ROOM SECURITY

- Specially designed for hotel guests to accommodate laptops up to 15"
- Bolt down hardware features two live-locking bolts, steel construction, and concealed hinges.
- Audit trail function, last 130 opening records can be printed by CEU (sold separately).
- 15 mm solid bolt locking mechanism
- Digital programmable locks allow guests to set a unique combination.
- Pry resistant door and dual live bolts ensure optimal protection
- Guest can set 4-6 digit code and separate master code for hotel management.
- Interior carpet to protect guest's valuables
- LED light inside for clear visibility
- Security lock out for 15 minutes after 3 failed attempts
- Low battery warning and battery auto check up
- Powered with four (4) AA batteries



PREMIUM safe box SB4117

DURABILITY, FLEXIBILITY, AND MAXIMISE IN-ROOM CONVENIENCE

- Specially designed for hotel guests to accommodate laptops up to 17"
- Elegant curve safe box body with laser-cut front panel
- Features two live-locking bolts, steel construction, concealed hinges, and bolt down hardware
- Audit trail function, last 300 opening records can be printed by CEU (sold separately).
- 20 mm solid bolt locking mechanism
- Digital programmable locks allow guests to set a unique combination.
- Pry resistant door and dual live bolts ensure optimal protection
- User code 4-6 digit for guest and master code for hotel management
- Interior carpet to protect guest's valuables
- LED light inside for clear visibility
- Security lockout for 15 minutes after 3 failed attempts
- Low battery warning and battery auto check-up
- Powered with four (4) AA batteries



x Large 17"



Large 15"



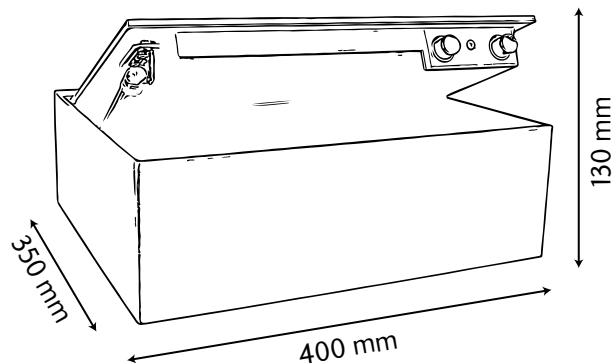
Small 14"



TOP-OPEN safe box SBTO9231

MOUNTED IN LARGE DRAWERS, ON NIGHT STANDS, INSIDE CLOSETS,
OR ANYWHERE IN THE ROOM THAT IS MOST ACCESSIBLE

- Flip top, Advance Keypad input, sturdy steel built, tamper-resistant edges, and two integrated pry-resistant steel locking bolts.
- 20 mm solid bolt locking mechanism
- Fits most 15" notebook computers
- Audit trail function, last 300 opening records can be printed by CEU (sold separately).
- Digital programmable locks allow guests to set a unique combination.
- Convenient Top-open allows your guests an easy access to the valuable stored
- Bolt-down pre-drilled hole – two at the bottom and two in the back panel
- The top-open safe can be installed in big drawers, on nightstands, in closets, or any other convenient location that is easily accessible for guests.
- User code 4-6 digit for guest and master code for hotel management
- Interior carpet to protect guest's valuables
- LED light inside for clear visibility
- Security lock out for 15 minutes after 3 failed attempts
- Low battery warning and battery auto check up
- Powered with four (4) AA batteries



NOVA 0.6L kettle

DOUBLE WALL STAINLESS STEEL KETTLE. BOIL-DRY PROTECTION & AUTO SHUT OFF. STRIX UK CONTROLLER

- 1000W kettle with 0.6 liter capacity
- Double wall made from #304 brushed finish stainless steel
- Strix UK controller ensures precise temperature control and safety.
- Kettle turns off automatically when the water is boiled.
- Boil-Dry protection ensures safety and saves energy.
- Concealed heating element
- Integrated heating element
- 360° rotational cordless kettle for left and right-handed use
- CE, CB, RoHS & GS Approved



EKNO8777W



EKNO8777B



ECOLINE S/S 0.5L KETTLE EKEC4119

ECO-FRIENDLY 800W 0.5L CORDLESS ELECTRIC KETTLE WITH BOIL- DRY PROTECTION & AUTO SHUT OFF

- Energy Efficient 800W kettle with 0.5 litre capacity
- Made from #304 brushed finish stainless steel
- Smudge-Proof™ coating ensures complete fingerprint resistance.
- Strix UK controller to ensure precise temperature control while assuring safety
- Auto shut-off to turn the kettle off automatically.
- Boil-Dry protection ensures safety and saves energy.
- Concealed heating element
- Integrated heating element
- 360° rotational cordless kettle for left and right-handed use
- CE, CB, RoHS & GS Approved

RIO 1.0L KETTLE EKRO4111

BRUSHED FINISH STAINLESS STEEL KETTLE

- 2000W kettle with 1.0 litre capacity
- Made from heat resistant plastic housing with Stainless Steel casing
- Water Level Indicator.
- Auto shut-off to turn the kettle off automatically when the water is boiled
- Boil-Dry protection ensures safety and saves energy.
- Concealed heating element
- 360° rotational cordless kettle for left and right-handed use
- CE & CB Approved



Finger print resistant



Water level indicator



Concealed heating element



REGENT S/S 1.0L KETTLE EKRE4118

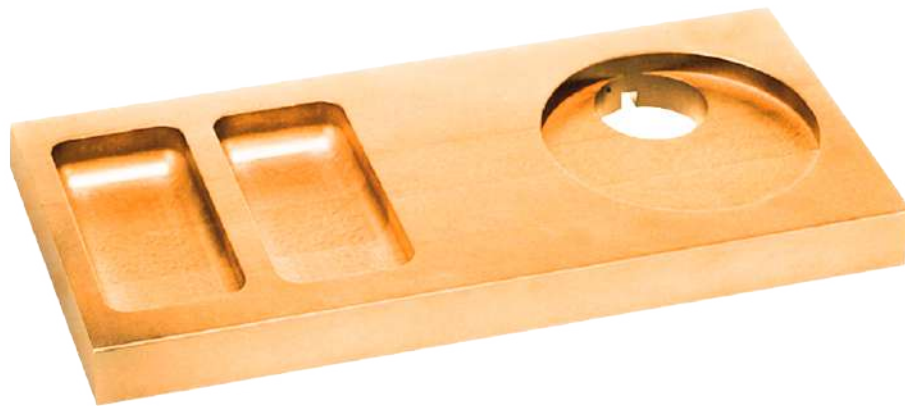
1.0L CORDLESS, STAINLESS STEEL KETTLE. BOIL DRY PROTECTION & AUTO SHUT OFF. STRIX UK CONTROLLER.

- 1500W kettle with 1.0 litre capacity
- Made from #304 brushed finish stainless steel
- Smudge-Proof™ coating ensures complete fingerprint resistance.
- Strix UK controller to ensure precise temperature control while assuring safety
- Water Level Indicator.
- Auto shut-off to turn the kettle off automatically when the water is boiled
- Boil-Dry protection ensures safety and saves energy.
- Concealed heating element
- Integrated heating element
- 360° rotational cordless kettle for left and right-handed use
- CE, CB, RoHS & GS Approved

ARRANGE hospitality tray TSAG4165

WITH ROOM FOR A KETTLE OR COFFEE MACHINE AND CUPS

- Made of high-quality MDF with strong Lacquer Finish
- Attractive removable condiment holders for tea, coffee, sugar and waste.
- Resistant to Stains and Scratches
- Water Resistant Lacquer Finish
- Arrange Tray can fit most of Roomwell kettle
- The cable can be fixed to the base of the tray to make it Anti-theft
- Recessed Cup and separate cutouts for Tea / Coffee Spoon
- The tray can be customized for MOQ of 300 and above.



MERLYN hospitality tray WT3221

ALL TOGETHER ON THE STYLISHLY DESIGNED TRAY!

- Strong lacquer coating on high-quality MDF to minimize scratches and stains.
- Anti-theft; Base of the kettle is integrated and cable can be fixed to the tray
- Several indentations for sachets and spoons
- Easy to clean and handle for housekeeping
- Fit to Roomwell Regent, Ecoline, Nova, and Rio Kettles
- Available in Natural Beech and Brown color



RETRO hospitality tray TTRE9002

ADD SOME STYLE TO YOUR GUEST ROOM WITH OUR EASY TO CLEAN RETRO WELCOME TRAY

- 3pcs tray set, manufactured from 100% food-grade high-quality melamine.
- Water-resistant lacquered finish
- Sturdy and Durable
- Fits all the Roomwell Kettles
- Easy to handle and clean
- Wide platform to accommodate other accessory items
- Available in Stylish black color

Dimensions:

Tray (W x D x H)mm : 275 x 376 x 21 mm

Condiment Holder (W x D x H)mm : 78 x 78 x 60 mm



SPACESAVER hospitality tray MTSS4113

COMPACT YET DURABLE HEAT RESISTANT ABS WELCOME TRAY

- Made of strong Food Grade ABS Material
- Anti-theft, Kettle base can be fixed with the tray
- Removable Stainless Steel drip tray for used tea bags and spoons
- 2 Big Non-Removable compartments for the presentation of condiments
- Water Resistant and easy to clean
- Fits to Roomwell Regent, Ecoline, Nova, and Rio Kettles

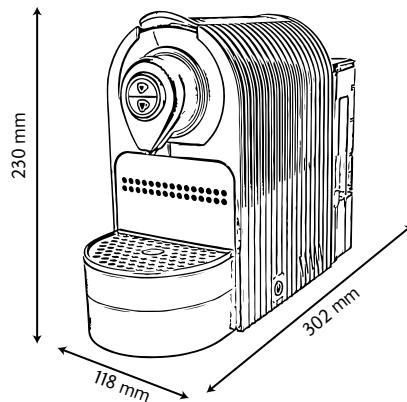


VIENNA ESPRESSO Coffee Machine ECM4001

ADD SOME STYLE TO YOUR GUEST ROOM WITH OUR EASY TO CLEAN ESPRESSO COFFEE MACHINE

- Automatic ejection system with collection container up to 10pcs (LB)
- Two buttons for espresso(short) 25ml & Lungo(long) 40ml.
- Reprogrammable cup sizes with precise flow control.
- Exclusive sucking feet to keep machine steady
- Instant heating Thermo-block for fast brewing
- Removable drip tray for a tall glass
- Removable water tank
- Energy-saving system: auto-off in 9 min. when idle
- Compatible with Nespresso/Lavazza Point/Lavazza Blue capsules.

Tank Capacity : 800 ml
Electrical insulation : Class 1
Power : 1400 W
Input Voltage : 220 – 240 V
Input Frequency : 50Hz
Plugs : EU & BS
Color : Black
Cord length : 110 mm
Weight : 3.1 kg



XPRESS STEAM

2000W EX4100

IMPRESSIVE STEAM CAPABILITIES

- Effortless Steam Iron delivers 200 g of steam boost
- Auto Shut-off in 8 minutes on heel rest and 30 seconds lying flat motionless.
- The iron has a Ceramic Soleplate that is robust, scratch - resistant.
- The anti-drip feature ensures that water won't drip on clothes.
- The self-clean feature helps to prevent the build-up of limescale
- A generous capacity of 280 ml water tank.
- CE, CB, RoHS & GS approved



SIRA STEAM

2200W EISI4125

THE PROFESSIONAL GRADE STEAM IRON WITH A RETRACTABLE CORD FOR EASY STORAGE

- With faster Heating, it only takes few seconds for steam to regenerate
- Ceramic Soleplate effortlessly glides over fabrics and allows for tight spots and corners
- The 1.8m retractable cord winds up quickly with the touch of a button
- Auto Shut-off – 8 minutes on its heel rest, and 30 seconds lying flat motionless
- Having an advanced anti-drip feature means no leaky steam ironing
- Anti-scale to reduce limescale build-up
- The self-clean feature helps to prevent the build-up of limescale
- A generous capacity of 300 ml water tank
- CE, CB, RoHS & GS Approved

XPRESS STEAM PLUS

2400W EIXSP4124

DOUBLE CERAMIC SOLEPLATE IRON WITH STEAM, TRIPLE CLEANING FUNCTION

- With 2000–2400W extreme power, iron generates steam in less than 15 seconds.
- Innovative Non-Stick Double Ceramic Soleplate
- Anti-drip to keep the Linen spotless when ironing
- Precise 5-Step Temperature Controller
- Triple Cleaning Function – 1. Self-Cleaning 2. Anti-Drip 3. Anti-lime.
- The iron automatically turns off in 8 minutes on heel rest and in 30 seconds lying flat motionless.
- A generous capacity of 300 ml
- Flexible 360 Degree Swivel Cord Guard
- CE, CB, RoHS & GS approved



RETRACT ironing board IBRE 8154

UNIQUE FREESTANDING IRONING BOARD WITH RETRACTABLE IRON REST TO MAINTAIN EXTRA STORAGE.

- Featuring a sturdy welded frame with a heavy gauge mesh top
- Made with tubular steel powder-coated black finish
- Retractable iron rest can be slid under the board when unused
- Heavy-duty metallic flame retardant ironing board cover
- Thick fibre pad of 10 mm for easy ironing
- Secure fold-up safety lock
- Legs include a non-slip end cap to prevent slipping while ironing.
- Height adjustment from 62 to 89 cm (7 positions) suits a different person.
- Foldable, save space when not in use.



CLASSIC ironing board

IBCL8120

- Extra thick frame with powder coated surface
- Light weight and Foldable for space saving.
- Ultra strong legs with non-slip end cap
- Height adjustment upto 7 levels.
- Heavy-duty Velcro straps of cover allows a secure, non-slip fit.
- Secure fold-up safety lock



CLASSIC IRON HOLDER

IH4105

- Compact heat resistant plastic wall mount for storing your iron and holds your ironing board
- No more fuss with tangled cords, built-in storage pocket for keeping iron cords
- Suitable with all Roomwell Irons & iron boards



PRESTIGE ironing board IBPS8155

FOR EASY IRONING FITTED WITH STEEL HOOKS FOR HANGING IRONING BOARD DIRECTLY INTO THE WARDROBE

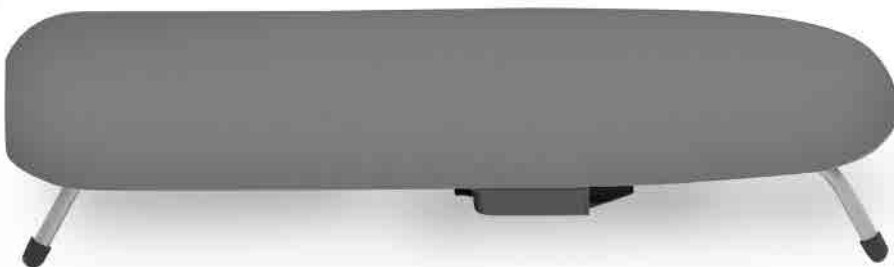
- Large and tough top of the line board
- Tubular steel made with powder-coated black finish.
- Featuring a sturdy welded frame with a heavy gauge mesh top
- Flame retardant iron board cover
- Heavy-duty Velcro straps with elasticized edges gives cover a secure and non-split fit.
- Height adjustment of up to 85cm
- Anti-theft/ iron cable secured to the board through prestige iron holder (sold separately)
- Fits to Roomwell classic and prestige ironing holder



PRESTIGE Holder

IBPS8155

- Fixed heat resistant iron holder to fit Roomwell prestige ironing board only
- Featuring a unique cord wrap system with U shaped heel and clip the iron cord around the heel for neat storage.
- Anti-theft/ iron cable secured to the board



MINI PLUS Ironing Board With Caddy IBMP8880

- Roomwell's Compact Ironing Board with caddy takes ironing to whole new level with its innovative and patented design - an ideal option for hotel rooms with limited storage space
- Featuring patented folding mechanism that folds it neatly in half, and a special compartment for storing your iron
- Having its own hanging hook to mount onto a wall, in the wardrobe or simply place it inside drawer
- The board's plastic top allows for even distribution of heat and steam
- The cotton cover is scorch- and stain-resistant
- Rubber leg caps prevent scratches on table and countertops
- Generous ironing surface with corners perfectly shaped for shirts, trousers and more
- Size (Folded) 41x31x15cm (Un-folded) 82x31 cm



WINZI WALL/DRAWER Mounted hair dryer

WCWM4132B | WCWM4132W

ANTI THEFT HAIRDRYER TWO SPEED AND THREE TEMPERATURE SETTING, OVER HEATING CIRCUIT PROTECTION, SPIRAL CORD WITH GOOD FLEXIBILITY

- Double Insulated Body with Ripple wire security heating element
- Slide switch: 2 air flow settings, 3 air temperature settings
- Quiet & long life motor
- Cool blow feature
- On/Off push button
- Concentrator nozzle
- Safety isolating transformer
- Over heating & Circuit protection
- CE, CB & RoHS certified
- 2-Year Warranty

CLASSIC WALL MOUNTED hair dryer

HDWMCL4137B | HDCL4137W

ANTI THEFT HAIRDRYER WITH SHAVER SOCKET

- Ultra-quiet, long-life, 1800W motor dries hair in a few minutes.
- Wall-mounted design to save bathroom space
- 3 heat and 2 speed settings.
- Universal shaver socket offers 110V flat pin socket and one 220V flat and round pin socket.
- Overheating Safety Protection
- A spiral cord with good flexibility
- CE, CB & RoHS certified



NEO 1600W - 1800W

HDNO5679

PROFESSIONAL HAIR DRYER PUTS SUPERIOR STYLING EXPERTISE IN YOUR GUEST 'S HANDS.

- Matte finish. Full size but light weight, powerful but low noise, long lasting
- 3 heat settings and 2 speeds, precisely meet the demands of all hairstyles: Curly, Straight, thin, or thick.
- Negative Ions Film protects hair from damage when it dries
- Ultra-quiet, long-life motor, 1600W – 1800W super strong wind makes your hair dry in a few minutes
- Over-heating Safety
- Cool Shot – Perfect Styling results with a slim styling removable nozzle & cool shot button
- Easy clean removable rear filter
- CE, CB, RoHs and GS certified



FIJI II 1800W

HDF11672

ERGONOMIC & LIGHT WEIGHT DESIGN

- 3 heat and 2 speed settings.
- Ultra-quiet, long-life, 1800W-2100W motor dries hair in a few minutes.
- Overheating Safety Protection.
- 90° Folding Handle for compact storage makes it easy to store
- Cool Shot – Perfect Styling results with a slim styling nozzle & cool shot button
- Ionic Function – Hairdryer emits abundant negative ions to eradicate frizz,
- Easy clean removable rear filter
- Hanging loop for tidy storage
- A spiral cord with good flexibility
- CE, CB, RoHS & GS certified

REVO 2200W

Cord Keeper HDRE5679

FEATURING A RETRACTABLE CORD FOR COMPACT STORAGE

- The powerful 2200W enhanced motor provides ultra-high airflow, emitting high enough heat to dry even thick or coarse hair quickly
- The Revo Cord Keeper allows for easy storage with the press of a button; line cord retracts into handle of hair dryer
- With 3 temperature and 2 speed settings, this blow dryer was created for all hair types
- Having a Cool Shot button to help lock curls and styles in place
- Permanent ionisation function, protects, volumes and dries the hair quicker
- Over-heating Safety Protection
- CE, CB, RoHs and GS certified



WAKE & PLAY alarm clock AC4128

WITH FM RADIO, BLUETOOTH SPEAKERPHONE
AND USB CHARGING

- For smooth wireless communication, any Bluetooth-enabled device can be connected.
- Excellent Sound Quality - The dual speakers delivers fantastic sound for FM radio and music streaming.
- With dual alarm function, you can set alarm separately or dually for you and your partner.
- Two Built-in USB ports for charging.
- FM – Easily tune your favorite FM radio stations.
- Large LCD Display
- 3 adjustable brightness levels (low-medium-bright) with vibrant display.



VYRO PLUS WIRELESS alarm clock

WPLV4695

ALL IN ONE ALARM CLOCK WITH WIRELESS FAST CHARGING,
SMART SPEAKER, BLUETOOTH, FM & USB CHARGING

- Simply place your Qi Wireless Charging Compatible phone on the top and it will start charging.
- Built-in Type A and Type C USB charging to charge any device or Tablet, via cable
- Great Sound – The twin speakers of compact Vyro clock produce room-filling stereo sound.
- FM – Easily tune your favorite FM radio stations.
- Bluetooth – Connect devices to Vyro through ultra-stable Bluetooth connection.
- With dual alarm function, you can set alarm separately or dually for you and your partner.
- Large LCD Display.
- Adjustable Brightness – LED backlight and LCD brightness can be adjusted

Oxford alarm clock ACOX4300

SMART ALARM CLOCK WITH WIRELESS CHARGING, BLUETOOTH SPEAKER, CUSTOM ALARM AND BUILT IN ADJUSTABLE NIGHTLIGHT, LARGE BATTERY BACKUP

- The built-in Intelligent Qi Wireless Charging pad is compatible with all Qi-enabled phones and tablets, providing faster 15W charging. Power Supply is needed for charging phones wirelessly.
- The upgraded 5.0 chip can maintain the connection within 33 feet and maintain the best sound quality
- 2500mAh rechargeable battery can work for 90 hours for the lamp or 180 hours for the alarm clock.
- Use the Oxford as a Bluetooth Speaker to stream your favourite music wirelessly straight from your Smartphone or Tablet.
- The Oxford Bedside Alarm Clock combines premium materials with its soft touch fabric wrap surround to look amazing on the guest's nightstand.
- Enjoy enhanced sound performance thanks to 6W Stereo Speakers and a Passive Subwoofer for richer bass
- Tune in to an FM Radio Station you love in no time with up to 10 FM presets.
- Offering 3 levels of brightness for nightlight (low, medium and high), simply touch the handle to control the brightness
- The LED digital display makes reading the time easier
- 16-level adjustable volume, specially designed for heavy sleepers.
- The mobile phone holder can rotate 180 degrees, suitable for all kinds of mobile phones
- Rubber Anti-skid pad to prevent the bottom of the product from being worn.
- Size: 225 x 116 x 87 mm



CELLO room bin

A WONDERFUL ADDITION OF OUR NEWEST FIRE RETARDANT BIN IN YOUR HOTEL ROOM

- Made from stainless steel with a matt finish, this Fire Retardant Bin is a wonderful addition to your guestroom or bathroom.
- Fingerprint resistant
- Bin has an anti-scuff base
- Double Layer
- Size: 200mm diameter x Height 300mm
- Capacity 9L
- Color: Silver, Black and Gold



SWING room bin

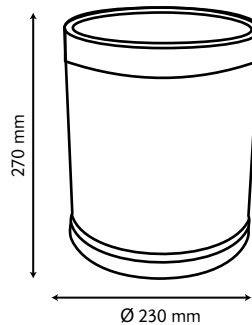
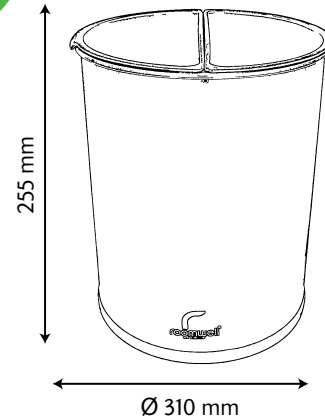
FIRE RESISTANT BIN WITH SWING LID

- 10 Litre Capacity
- Double Walls - seamless outer bin slides over the inner bin and completely conceals the edge of the plastic bin liner.
- Fire-resistant inner liner
- Bin has an anti-scuff base
- Suitable for hotel bedroom, conference room, and reception area
- Available in Black and Silver color
- Colors can be customized for an MOQ +300 pcs.

DUO SEPARATION room bin

THE SMART BIN TO SEPARATE YOUR WASTE IN THE ROOM

- Made of black powder-coated steel
- 2 Coloured, removable Inner liners, Green and Black
- Bin has an anti-scuff base
- Suitable for hotel bedroom, conference room, and reception area
- Capacity: 2 x 5L Inner liner, provides 10L in total.
- Size: 255mm diameter x Height 310 mm



ROOM BIN GRBL1121BI

FIRE RESISTANT BEDROOM BIN DOUBLE WALLS WITH 'LEATHER GRAIN' VINYL EXTERIOR

- 10 Litre Capacity
- Made of Steel Body with leather grain vinyl exterior
- Double Walls - seamless outer bin slides over the inner bin and completely conceals the edge of the plastic bin liner.
- Fire-resistant inner liner
- Bin has an anti-scuff base
- Suitable for hotel bedroom, conference room, and reception area
- Available in Black / Brown Vinyl Leather
- Colors can be customized for an MOQ +300 pcs.

ACTION ROUND pedal bin PDAR4133

PREMIUM FINGERPRINT AND SMUDGE RESISTANT BRUSHED STAINLESS STEEL BODY WITH MUCH LOVED ROUND SHAPE

- Patented product
- Fingerprint resistant
- Soft-close mechanism
- Clever inner ring system: The bin liner is kept hidden for an attractive & discreet look.
- Easy cleaning
- Non-slip pedal surface
- Made with eco-friendly air cylinder.
- Foot contact surface is sufficiently wide.
- Available in Silver and Black Color
- Available in 3L, 5L, 12L, 20L, and 30L.
- Bronze and Gold color available on request for MOQ +300 pcs.
- 3-Year Warranty



CUBE luggage rack

LRCB3012

HOLD YOUR GUEST'S SUITCASES AND DUFFEL BAGS WITH AN ATTRACTIVE WOOD FOLDING LUGGAGE RACKS

- Attractive and Elegant design will match any hotel or resort decor.
- Made with FSC certified wood, Durably constructed with flexible hinges to hold the heaviest suitcases or bags.
- 5 Strong nylon straps
- Folds flat for convenient storage
- User-friendly & easy to clean
- Open Size: 600 x 630 x 600 mm



ELITE luggage rack

LRME3011

HELP YOUR GUESTS UNPACK THEIR LUGGAGE WITH OUR ELITE LUGGAGE RACK

- Made with 304 Stainless steel smooth curved edges for maximum visual appeal.
- Folds shut for efficient storage
- 4 Strong black fabric belts
- Rubber cap to protect your floor from scratches & scuffs
- Available in silver & black color

DURA luggage rack

LRMD3011

OUR CLASSIC CHROME METAL LUGGAGE RACK.

- Modern chrome finish made with 201 stainless steel.
- Folds shut for efficient storage.
- 4 nylon belts.
- Rubber cap to protect your floor from scratches & scuffs.
- Available in silver & Black color.



BATTERY-FREE bathroom scale

THE WORLD'S LEADING AUTO-POWER GENERATION SYSTEM;
ABSOLUTELY ECO-FRIENDLY & HIGH PRECISION WEIGHING SCALE

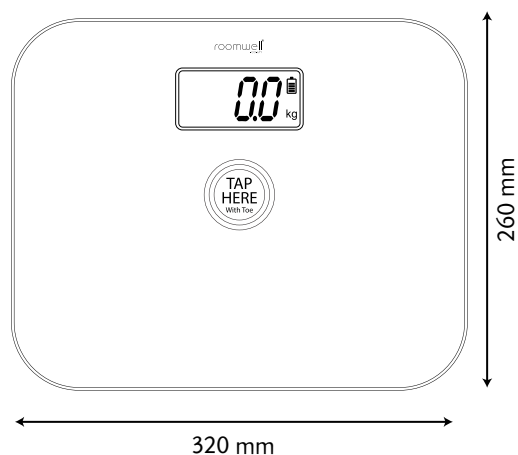
- No power-source required. Just one quick stamp by feet transforms mechanical energy into power.
- Equipped with a 5mm non-slip tempered glass platform, rounded corners, and scratch-resistant feet
- 4 high precision German Strain Gauge sensors to get quick and accurate data
- Completely green and environment friendly
- Easy to read your weight on large LCD
- Auto shut-off, Auto-zero resetting, Low battery, and overload indication
- Provides instant weight readings up to 150 Kg or 330 lbs
- Auto-calibrated – Just step on it and precise results are displayed
- Anti-skid pads on the base prevent slipping or skidding during use.



WSBF9546W



WSBF9546B

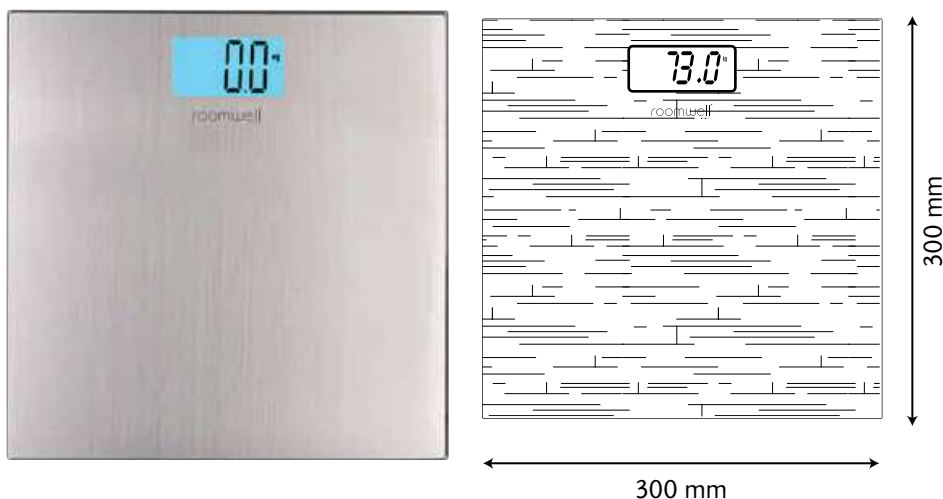


SERENE DIGITAL ANTI-SLIP

bathroom scale WSSE4136

SLEEK, ELEGANT DESIGN AND UNIQUE 3D EFFECT ON THE BATHROOM SCALE MAKES IT AN IMPRESSIVE ADDITION

- Constructed from 6 mm tempered glass platform with unique 3D effect to create Non-Slip pattern
- 4 highly precise gauge sensors deliver results with a 100 gm accuracy resolution
- The large 3.2" back-lit display is easy to read even in bright daylight or in dark rooms.
- The digital scale delivers lightning-quick measurements with a 150 kg capacity
- Auto-calibrated – Just step on it and precise results are displayed on a backlit LCD screen
- Auto-off feature to save energy, low battery and overload indications to prolong its lifespan
- Anti-skid pads on the base prevent slipping or skidding during use.



SLIMLINE S/S bathroom scale

WSSL4140

ULTRA SLIM STAINLESS STEEL PLATFORM, SLEEK CONTEMPORARY DESIGN, IS THE MOST TRENDY BATHROOM ACCESSORY

- Rust-resilient stainless steel platform
- 4 highly precise sensors provide accurate and stable readings
- Measures in increments of 0.2lb /0.1kg
- Large 3.2 inch LCD display
- The digital scale delivers lightning-quick measurements with a 180 kg capacity
- Auto-off, auto-zero, Auto-calibration; low battery and overload indication
- Anti-skid pads on the base prevent slipping or skidding during use.
- 2 x AAA GP batteries operated.

FLIP mirror MMFL5120

THE FLIP DOUBLE SIDED LED LIGHTED MAKEUP MIRROR WITH 1X/3X MAGNIFICATION.

- Excellent quality with boron Stainless Steel material
- Touch controlled LED Lighted mirror.
- Rustproof, anticorrosive, and durable.
- 360-degree swivel design.
- Double-sided mirror with 3x magnification.
- All metal construction with polished chrome surface.
- LED bulbs last the entire lifetime of the mirror
- Black and Gold color available with MOQ +300 pcs.

COLOUR



RONDO mirror MMRO5120

TWO SIDED VANITY CIRCULAR MIRROR: INCLUDES A NORMAL SIDE AND A MAGNIFYING SIDE

- Excellent quality with Stainless Steel material, rust proof, anticorrosive, and durable.
- Round base mirror surface, mirror diameter is 8 inches / 20 cm.
- Double-sided mirror with 3x magnification.
- 360 degree swivel design and can be adjusted to any angle you like.
- Black and Gold color available with MOQ +300 pcs

COLOUR



SENSE 8" Magnifying Mirror Table Top

MMSE4120

- Sensor On/Off, Automatically lights up as your face approaches the mirror — no need to touch any buttons.
- 5x Magnification, provides exceptional detail while still allowing you to see your entire face at once.
- Ultra Clear, high-quality glass backed by high-purity aluminum coating provides superior reflectivity and clarity.
- Recharge with included USB-C charging cord.
- Sense mirror's LEDs have been rated to perform for 40,000 hours.
- Cordless, No messy cords to take up space on your countertop.
- Available Colors, Gold, Silver, Rose Gold.



CUBIC lighted mirror MMCB4333L

- Handcrafted translucent acrylic prisms integrated into a distinctive square brass housing.
- Lighted cosmetic mirror on twin arm.
- Brass/ Stainless steel construction with acrylic inserts.
- Triangularized Super LED platform.
- Warm amber light
- 50,000 hour maintenance-free illumination
- 3x magnification
- L21.5 x H21.5 / Depth 38cm

CLOTH LINE accessories CL1001

RETRACTABLE INDOOR CLOTHESLINE IS MADE OF HIGH QUALITY 304 STAINLESS STEEL AND A BRAIDED NYLON LINE

- Adjustable stainless-steel laundry line extendable to 9.2 ft / 2.8 m. Any length within 9.2 ft. can be locked with a button.
- Polished Chrome Finish, makes the item rustproof and corrosion free.
- Holds a maximum weight of 22 lbs when mounted.
- Widely used for hanging wet bathing suits, baby clothes, delicate which can't be machine dried.



IRON BOARD cover IBRE 8154C

THIS FLAME RESISTANT METALLIC IRONING BOARD COVER WITH A SOFT PAD

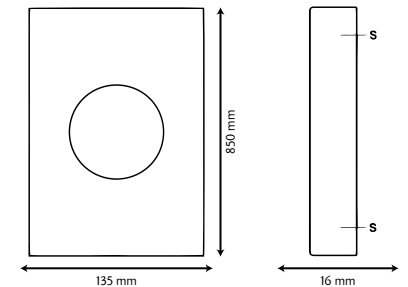
- Three layers, including silicone coating cotton surface, thick felt padding & 100% breathable cotton lining for high durability
- Elasticized edges and heavy-duty velcro straps give you a secure, non-slip fit
- Generously sized and easily tailored to fit a wide range of boards



SANITARY BAG DISPENSER accessories SH1001

TO DISPENSE SANITARY DISPOSAL BAGS SMOOTHLY

- 304 Stainless steel
- Ultra-compact – Requires minimum space
- Polished finish
- Features a hinged lid



ROOMWELL & THE ENVIRONMENT

It is not an investment if it destroys the planet! Therefore, we meticulously choose recyclable materials in the creation of our products wherever possible to minimize wastage and to create a range of our eco-friendly guestroom collections for instance; battery-free scale, energy efficient kettle, hi-cool absorption minibar, etc. We also design the packaging in a more sustainable way to use recycled cardboard and plastic. In addition, all our factory operations are paperless. We believe saving trees will reduce carbon imprint and will help us save the planet for future generations.



ROOMWELL HAS A WORLDWIDE PRESENCE

In many countries across the world, you may discover our goods in tiny boutique hotels and huge multinational chains. If you are interested in distributing Roomwell products in your market, then please email us at sales@roomwell.co.uk. If you would like to purchase Roomwell products for your guestroom, please contact your local distributor using the details below.





**Ealing Gateway, 26-30 Uxbridge
Road, London W5 2AU**

+44 2033 895 908

**sales@roomwell.co.uk
www.roomwell.co.uk**